

Engine Powered Forklift 4.0 - 5.0 ton

BT cargo

C4D400E

C4D450E

C4D500E



Engine Powered Forklift 4.0-5.0 ton

Truck specifications					C4D400E	C4D450E	C4D500E
Identification	1.1	Manufacturer			BT	BT	BT
	1.2	Model			C4D400E	C4D450E	C4D500E
	1.3	Drive			Diesel	Diesel	Diesel
	1.4	Operator type			Rider seated	Rider seated	Rider seated
	1.5	Load capacity/rated load	Q	kg	4000	4500	4900
	1.6	Load centre	c	mm	500	500	500
	1.8	Load distance, centre of drive axle to fork	x	mm	509 ¹⁾	509 ¹⁾	574 ²⁾
	1.9	Wheelbase	y	mm	1900	1900	1900
	Weight	2.1	Service weight		kg	6250	6640
2.2		Axle load, with load, front/rear		kg	9175/1075	9960/1180	10890/1010
2.3		Axle load, without load, front/rear		kg	3050/3200	3000/3640	3120/3880
Tyres	3.1	Tyres: Cushion (C), Pneumatic (PN), Superelastic (SE), Twin (TW)			SE/PN/SE.TW/PN.TW	SE/PN/SE.TW/PN.TW	SE/PN/SE.TW/PN.TW
	3.2	Tyre size, front			250-15/250-15/ 7,00-15/7,00-15	250-15/250-15/ 7,00-15/7,00-15	300-15/300-15/ 8,25-15/8,25-15
	3.3	Tyre size, rear			250-15/250-15/	250-15/250-15/	250-15/250-15/
	3.5	Wheels, number front/rear (x=driven wheels)			2x-4x/2	2x-4x/2	2x-4x/2
	3.6	Track width, front	b ₁₀	mm	1186/1186/1422/1422	1186/1186/1422/1422	1230/1230/1448/1448
	3.7	Track width, rear	b ₁₁	mm	1110	1110	1110
	Dimensions	4.1	Tilt of mast/fork carriage forward/backward	α/β	deg	5°/10°	5°/10°
4.2		Height, mast lowered	h ₁	mm	2400	2400	2450
4.3		Free lift	h ₂	mm	100	100	100
4.4		Lift	h ₃	mm	3150	3150	3150
		Lift height	h ₂₃	mm	3200	3200	3210
4.5		Height, mast extended	h ₄	mm	3948	3948	3991
4.7		Height of overhead guard (cab)	h ₆	mm	2480	2480	2530
4.8		Seat height/stand height	h ₇	mm	1328	1328	1378
4.12		Coupling height	h ₁₀	mm	500	500	550
4.19		Overall length	l ₁	mm	3894 ¹⁾	3954 ¹⁾	4019 ²⁾
4.20		Length to face of forks	l ₂	mm	2894 ¹⁾	2954 ¹⁾	3019 ²⁾
4.21		Overall width	b ₁	mm	1410	1410	1483
4.22		Fork dimensions	s/e/l	mm	50/150/1000	50/150/1000	60/150/1000
4.23		Fork carriage DIN 15 173, class/type A, B			IIIA	IIIA	IIIA
4.24		Fork-carriage width	b ₃	mm	1200	1200	1200
4.31		Ground clearance, with load, below mast	m ₁	mm	150	150	150
4.32	Ground clearance, centre of wheelbase	m ₂	mm	160	160	210	
4.33	Aisle width for pallets 1000 x 1200 crossways	A _{st}	mm	4417 ¹⁾	4466 ¹⁾	4531 ²⁾	
4.34	Aisle width for pallets 800 x 1200 lengthways	A _{st}	mm	4617 ¹⁾	4666 ¹⁾	4731 ²⁾	
4.35	Turning radius	W _a	mm	2708	2757	2757	
4.36	Internal turning radius	b ₁₃	mm	944	944	944	
Performance data	5.1	Travel speed, with/without load		km/h	18,0/18,0	18,0/18,0	19,0/19,0
	5.2	Lift speed, with/without load		m/s	0,50/0,55	0,46/0,55	0,42/0,50
	5.3	Lowering speed, with/without load		m/s	<0,60	<0,60	<0,60
	5.5	Drawbar pull, with/without load		N	28000/25000	27000/25000	24000/25000
	5.7	Gradeability, with/without load		%	24/23	23/22	18/20
	5.10	Service brake			Hydraulic	Hydraulic	Hydraulic
Combustion engine	7.1	Engine manufacturer/type			John Deere 4045D	John Deere 4045D	John Deere 4045D
	7.2	Engine power acc. to ISO 1585		kW	56	56	56
	7.3	Rated speed		1/min	2100	2100	2100
	7.4	No. of cylinders/displacement		cm ³	4/4500	4/4500	4/4500
Others	8.1	Type of drive control			Stepless hydrostatic	Stepless hydrostatic	Stepless hydrostatic
	8.2	Operating pressure for attachments		bar	180	180	180

1) With sideshift = +32 mm

1) With sideshift = +34 mm

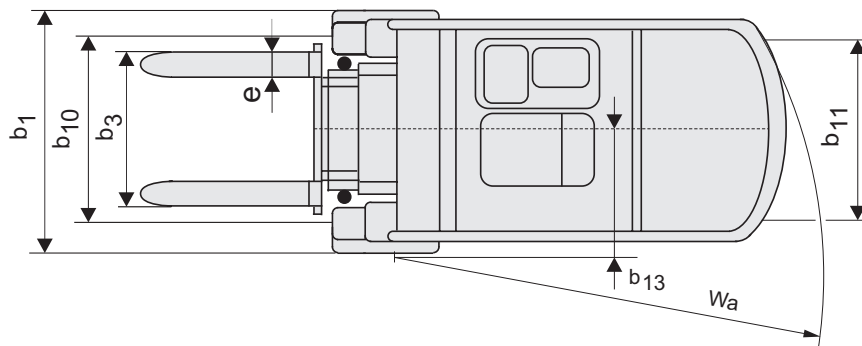
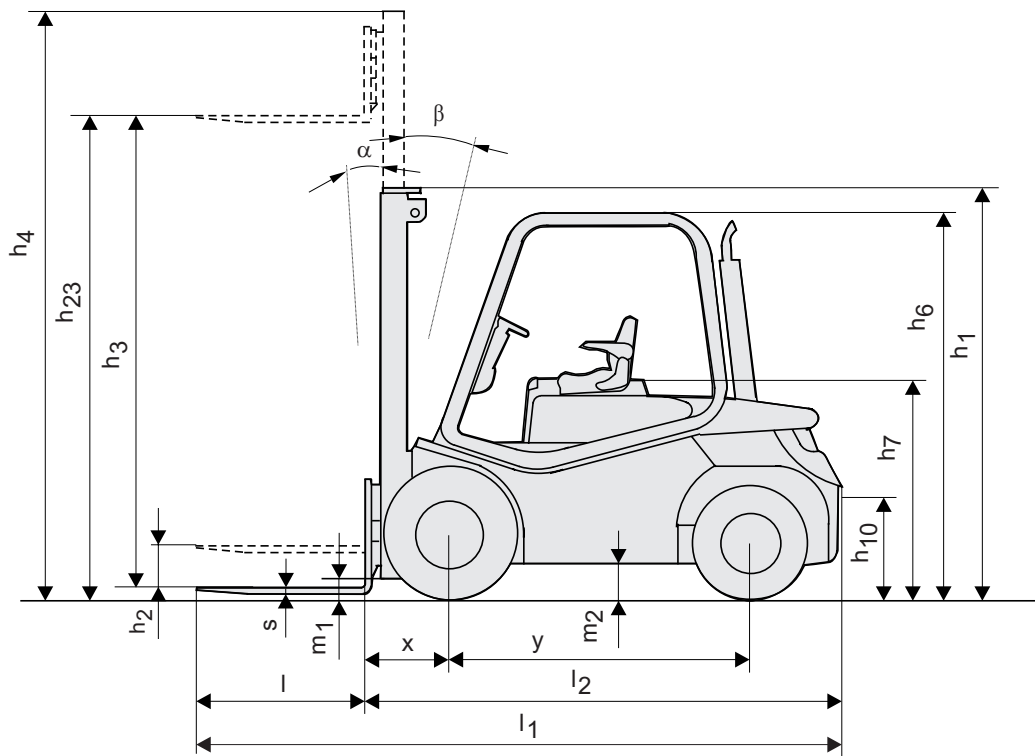
Performance data and dimensions are nominal and subject to tolerances. Specifications are subject to change without notice. Please obtain the latest specifications before contracting products.

Mast dimensions and rated capacities

BT cargo

Mast			Duplex		Duplex FFL			Triplex			Triplex FFL			
C4D400E/450E/500E	Lift height	h_{23}	3200	3700	3200	3700	4200	5000	5600	6110	4350	5000	5600	6100
	Lift	h_3	3150	3650	3150	3650	4150	4950	5550	6060	4300	4950	5550	6050
	Height, mast lowered	h_1	2400	2650	2400	2650	2900	2500	2700	2900	2285	2500	2700	2900
	Height, mast extended	h_4	3948	4448	3998	4498	4998	5750	6350	6890	5143	5793	6393	6893
	Free lift	h_2	100	100	1552	1802	2052	75	75	75	1442	1657	1857	2057

Mast			Duplex		Duplex FFL			Triplex			Triplex FFL			
C4D500E	Lift height	h_{23}	3210	3710	3210	3710	4210	5010	5610	6120	4360	5010	6010	6110
	Lift	h_3	3150	3650	3150	3650	4150	4950	5550	6060	4300	4950	5550	6050
	Height, mast lowered	h_1	2450	2700	2450	2700	3000	2550	2750	2950	2335	2550	2750	2950
	Height, mast extended	h_4	3991	4491	4048	4548	5048	5820	6420	6960	5193	5843	6443	6943
	Free lift	h_2	100	100	1552	1802	2052	75	75	75	1442	1657	1857	2057



Standard equipment:

- Hydrostatic transmission
- Long forks (1000 mm)
- Tilting mast
- Side-shift
- Balanced pedals control
- Clear-view mast
- Driver detection system
- Adjustable steering wheel



TP-Technical Publications, Sweden — 745581-040, version 1, 1203

