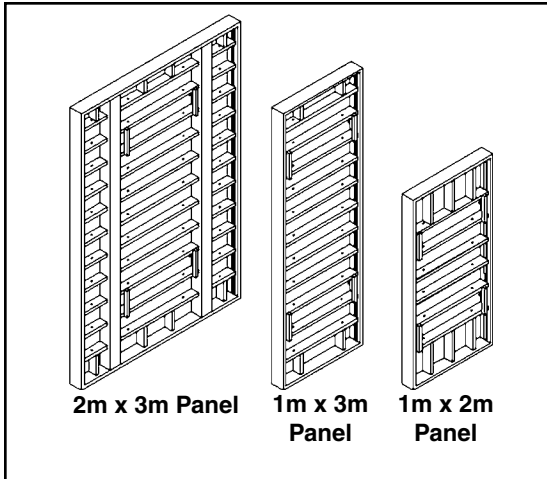


# Rapid Clamp

FORMING SYSTEM



# System Design

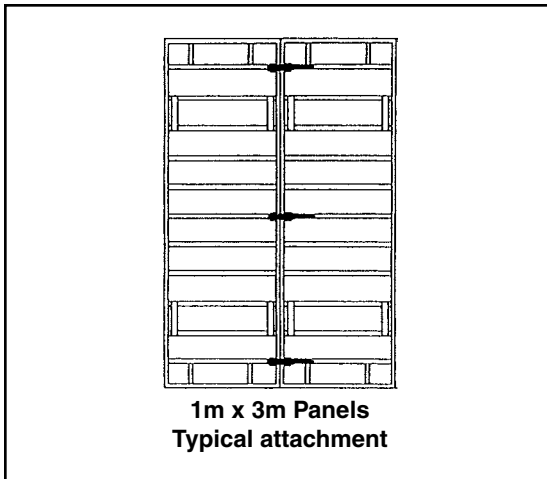


The Symons Rapid Clamp system is a high-strength concrete forming system designed for fast-paced gangform operations.

## Panels and fillers

This metric, modular system consists of a steel frame and a resin-coated 15 mm ( $\frac{5}{8}$ ") plywood face. It provides the strength, durability and finish needed for most gangforming applications.

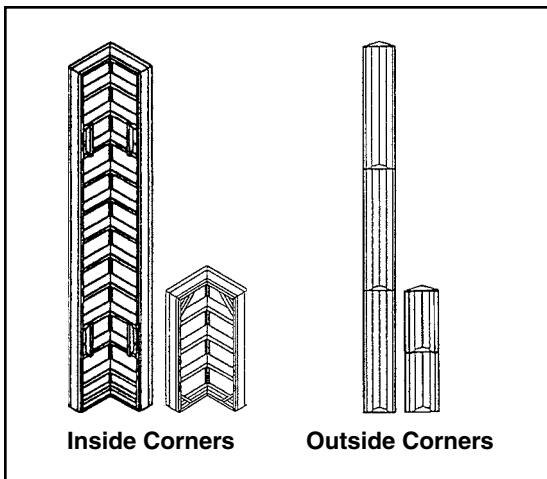
Rapid Clamp has the strength required for the large contact areas and fast pour rates common in large gangform applications. With a design pressure of 6000 kg/m<sup>2</sup> (1228.8 psf), only two ties are needed for 3 meter panel heights.



Rapid Clamp forms can be used horizontally or vertically, even within the same gang. Available in various widths from 25 to 200 cm, and heights of 1 or 3 meters, this wide range of panel and filler sizes means that you'll be able to form almost any wall dimension. When combined with inside and outside corners and accessories, pilasters, bulkheads and columns can be formed with standard equipment, minimizing costly job-built forming operations.

## Corners

Inside and outside corners are available in 1 and 3 meter heights. The standard inside corners are 30 cm x 30 cm (approximately 12" x 12").





# Clamp Connections

The Symons Rapid Clamp system features clamp connections that eliminate the need for tools and aligning bars. Setting up or changing the configuration of gangs is quick and simple with these innovative attachment clamps.

Other clamp-style forming systems require several types of specialized clamps even for relatively common applications. Rapid Clamp has just two clamps that are used for any forming configuration. This reduces confusion, boosts productivity and simplifies operations.

## Connecting Clamp

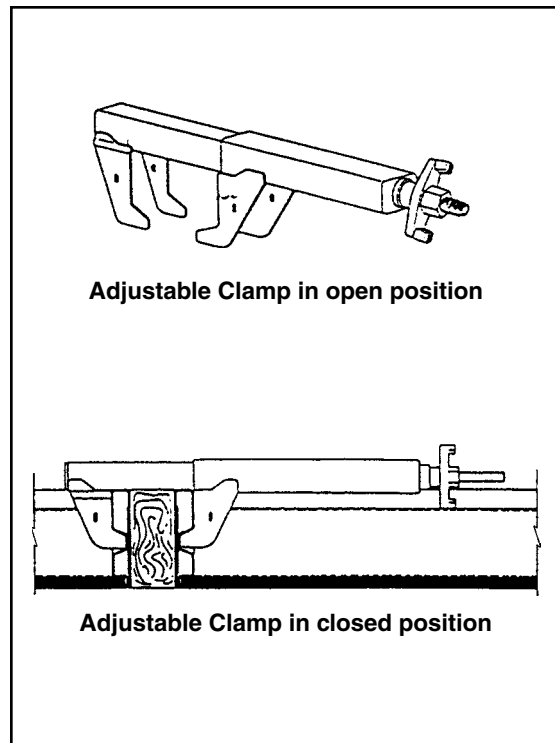
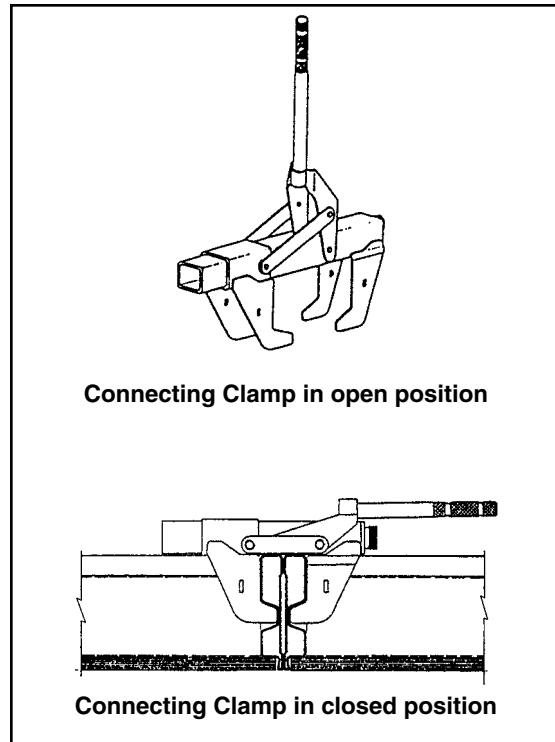
Attaching and removing the Connecting Clamp requires no tools. A simple lever action opens and closes the “jaws”, and a large tension screw is easily adjusted by hand.

This clamp is used vertically or horizontally on panels, fillers and corners. Whether side-by-side or stacked, Rapid Clamp forms are easy to connect.

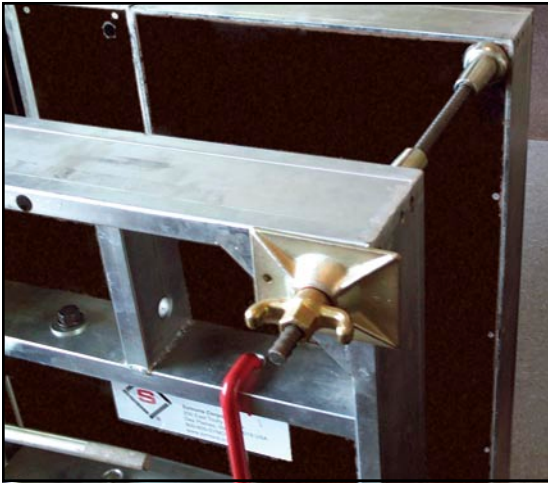
## Adjustable Clamp

The Adjustable Clamp also requires no tools to install. The large wing nut on the handle adjusts the clamping “jaws” to accommodate lumber fillers up to 25 cm (10") wide.

Like the Connecting Clamp, the Adjustable Clamp can be used vertically or horizontally to create the exact dimension required.



# Ties



## Heavy Duty Ties

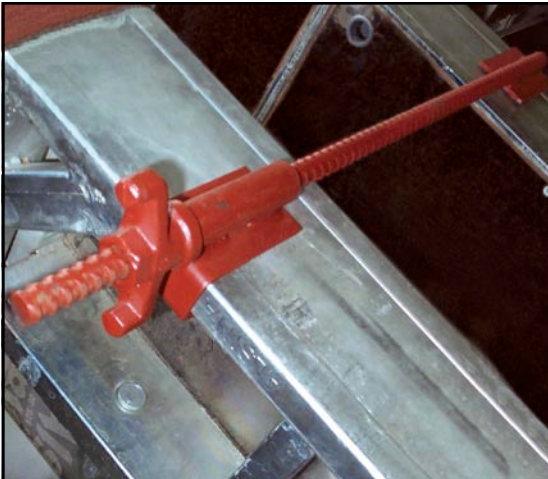
Symons offers various heavy duty tie and hardware options to complement the Rapid Clamp forming system.

## She-Bolts

With the use of a She-Bolt Cone, the same 15 mm diameter rod is used for both the inner and the outer attachment rod. The inner tie is always 4 inches shorter than the wall thickness to work in combination with the length of the She-Bolt Cone.

## Adjustable Top Tie

The Adjustable Top Tie Bracket, a real time and cost saver, attaches over the top of opposing panels and functions as a dry tie. All components are above the form and concrete placement, making the entire assembly reusable.



## Taper Ties

The reusable Taper Tie is tapered from  $\frac{5}{8}$ " diameter to  $\frac{3}{4}$ " diameter with an ultimate capacity of 36,800 lbs. Standard Taper Ties are available in a variety of lengths to permit wall thicknesses from 8" to 30".

Taper Ties offer the advantage of using the same diameter nut on both ends, making setting simpler and faster.

Taper Tie			
$\frac{5}{8}$ " Taper Ties			
Style	Taper	Taper Length	Overall Length
1	$\frac{5}{8}$ " to $\frac{3}{4}$ "	16"	42"
2	$\frac{5}{8}$ " to $\frac{3}{4}$ "	24"	50"

Symons Rapid Clamp forms and reusable ties combine to create a remarkably strong concrete forming system. The tying system consists of the Thread Bar, a PVC tube with Cone Caps, plate washers and wing nuts.

### Thread Bar

The high strength, weldable and bendable 15mm ( $\frac{5}{8}$ " ) ductile steel bar has a full-length, cold-rolled contour thread. The  $2\frac{1}{2}$  threads per inch offers fast installation and stripping. The Thread Bar is available in 20'-0" standard lengths and can be cut to specific project requirements. Field cutting, with Carborundum blades, is easily accomplished without thread damage.

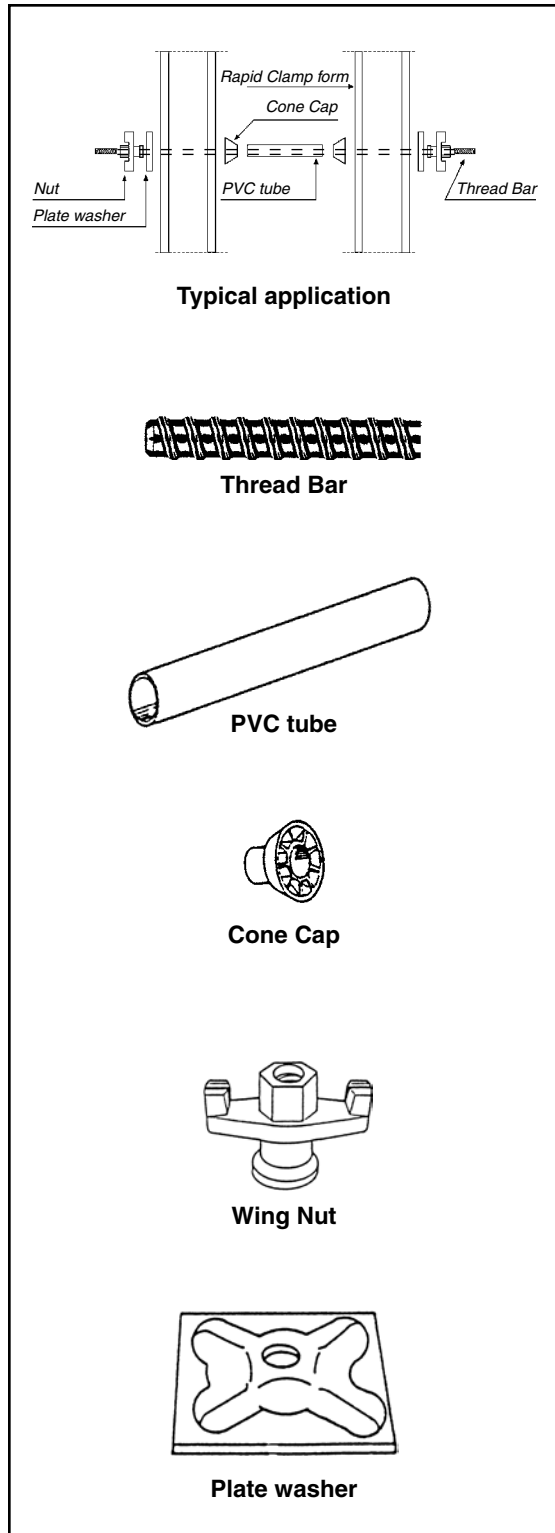
### PVC tube and Cone Caps

PVC tubes and reusable Cone Caps ensure accurate form spacing and protect the Thread Bar to allow them to be used repeatedly.

### Plate washer and wing nut

No walers are needed at tie locations. Plate Washers rest directly on form crossbars, reducing equipment needs and simplifying set-up operations.

The durable, course thread pitch of the tie system makes tie installation and stripping faster because workers need just a few spins of the wing nut to place the tie.



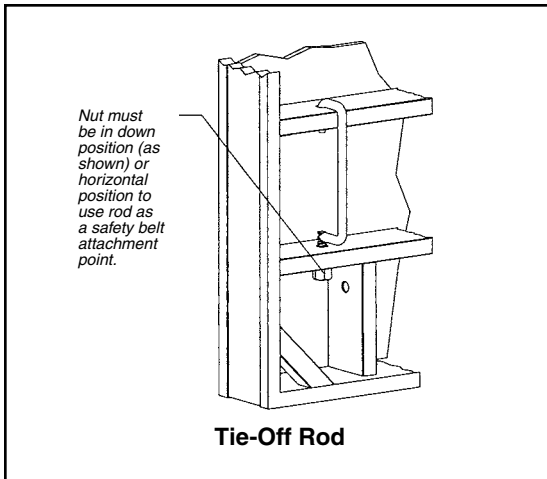


### Transition Filler

The 8" Symons Rapid Clamp Transition Filler provides a convenient connection between Rapid Clamp and almost any other Symons concrete forming system. Details and cut-up areas can be easily formed without wasting time constructing job-built fillers.

### Tie-Off Rod

The Symons Rapid Clamp Tie-Off Rod allows easy attachment of personal safety equipment. This exclusive design meets the Occupational Safety and Health Administration (OSHA) 5000 lb. capacity requirement for personal fall protection. The design improves worker safety without reducing productivity.



### Three-Piece Stripping Corner

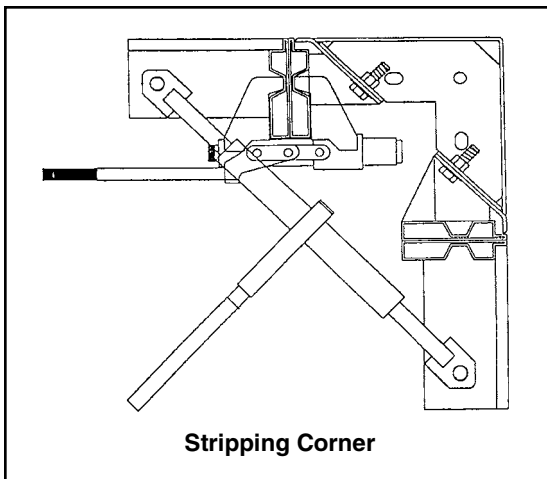
The inside stripping corner allows core walls to be set and stripped without disassembling the gangs. The corner consists of three pieces which partially disconnect and slide inward with ratchet turnbuckles at the top and bottom of each gang.

### Aligner Connector

The Aligner Connector is used to connect the Pipe Form Aligner when Rapid Clamp cross-members are in a horizontal position. A  $\frac{5}{8}$ " x 5" bolt with two  $\frac{5}{8}$ " diameter nuts are required to connect the Aligner Connector.

### Rapid Clamp Waler Connectors

Symons Rapid Clamp Waler Connectors quickly attach Versiform® walers to Rapid Clamp to provide vertical alignment. A minimum of two Waler Connectors are required per panel. To prevent waler slippage, a Waler Connector Channel should be used at one of the Rapid Clamp Waler Connectors on each vertical waler.



### Adjustable Filler

The Adjustable Filler is available in 1 and 3 meter lengths. It is adjustable to any width from 6 cm (2¼") to 25 cm (9¾"), which reduces time-consuming job-building operations for small spans.

### Walkway Bracket

The all-steel one-piece Walkway Bracket assembly allows safe worker access. The bracket pins onto Rapid Clamp forms with attached hardware. Built-in clips provide lumber insertion points for fast, simple walkway assembly.

### Scaffold Bracket and Guard Rail Post

The Scaffold Bracket connects to a vertical or horizontal crossmember with the attached pin. The Guard Rail Post is simply inserted into the Scaffold Bracket, and the lumber deck and railings are attached.

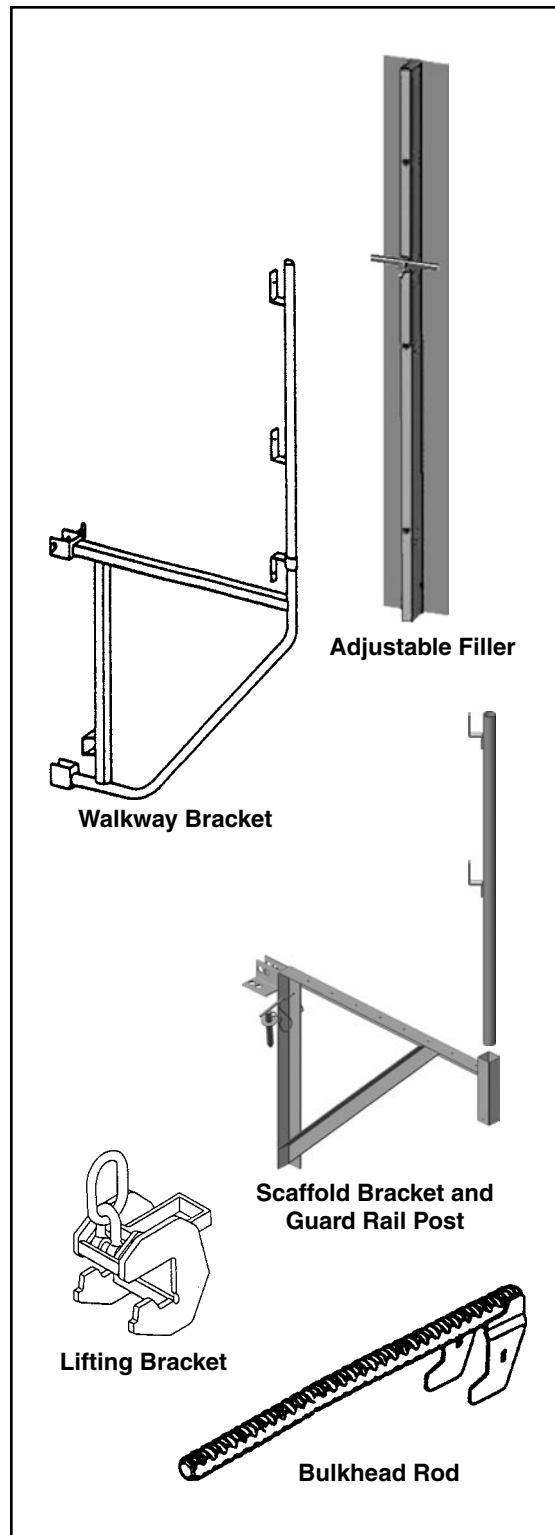
### Lifting Bracket

The Rapid Clamp Lifting Bracket has a load rating of 1000 kg (2200 lbs.). Two clamps are used to lift a typical 31.4 m<sup>2</sup> (314 ft<sup>2</sup>) gang.

Easily clipped onto and removed from the top rail of a gang, Lifting Brackets are only attached to the gangs during transport. With a quick flip of the lever, they can quickly be moved from gang to gang, reducing the amount of equipment needed on the site.

### Bulkhead Bar

You don't need extra outside corners and narrow panels on hand to form bulkheads. The Bulkhead Bar provides a simple way to produce these details with lumber. Bulkhead forms and the supporting lumber are held in place by placing one end of the Rod inside the panel rail, and attaching the washer and nut, provided.





vertreten durch

EUROBUYSERVICES EBS  
Osterholder Allee 2  
25421 Pinneberg  
Germany

Tel: 0049 (0) 4101-374631  
Fax: 0049 (0) 4101-3741251

[sales@ebsgermany.com](mailto:sales@ebsgermany.com)

**Adjustable Column Form** — Form square or rectangular columns efficiently with a minimum number of steel panels.

**Aluminum Beams and Joists** — Lightweight beams/ joists from 4' to 30' (122cm to 914cm) for deck or gangform applications.

**Box Culvert Traveler** — Rolling steel framework is compatible with Steel-Ply, Versiform and Max-A-Form systems.

**Chemicals** — Liquid, cement, epoxy and other specialty products for concrete construction and repair.

**DeckFast™** — A quick two-component system of modular panels and shores for creating flat concrete decks.

**Flex-Form®** — Specially designed steel-faced system for forming curved walls and round tanks with no surface “chording”.

**Form Liner** — More than 100 standard patterns, in four different materials, create unique concrete textures.

**FrameFast™** — Provides 24,000 lb. (106kN) load capacity per shore frame with spacings from 3' to 15' (91.4cm to 457.2cm).

**Garage Beam** — A complete system to form an economical, poured-in-place concrete parking garage.

**Max-A-Form®** — A durable, all-steel forming system that is ideal for pier caps and self-spanning applications.

**Rapid Clamp** — Metric-dimension, clamp-type system is quickly assembled and reconfigured for fast-paced gangforming.

**Rasto™** — The advantages of a clamp-type gangform, with the handset flexibility for details.

**Resi-Ply™** — A low cost, 1 1/8" (2.9cm) plywood forming system for residential construction, in 4-bar, 5-bar and 6-bar spacing.

**Roller Deck** — Column-mounted deck support system replaces conventional shoring, providing access for other trades.

**Room Tunnel** — One room per day, per form provides maximum forming productivity for repetitive room designs like hotels.

**ShorFast™** — High capacity aluminum leg and jack shoring system can support up to 30 kips (133kN) per leg.

**Steel-Ply®** — The most recognized modular system, with more than 80 panel and filler sizes, for handsetting or gangforming.

**Street Smart™** — Reusable steel forms for residential curb and gutters, industrial slabs and highway paving applications.

**Symons Silver™** — A lightweight aluminum system that makes residential forming operations efficient and productive.

**Symons Soldier™** — The “next generation” construction beam that can be used as a brace, strongback, waler or shore.

**Truss** — Crane handling of large aluminum tables increases deck forming productivity for repetitive bays.

**Versiform®** — Steel frame/plywood face gangforming system that provides a smooth concrete finish.

Printed in U.S.A.  
© 2009, Symons  
Print Code SYM101

